



## DL-K 16-130/T-EN54

- UV-resistant
- elegant design
- BS 5839



EN 54-24:2008  
Ref. Nr.: 005-13  
ID-Code: SAA-LS05  
1438-CPD-0325

ic audio GmbH, Boehringerstraße 14a,  
D-68307 Mannheim, Germany

CE-Symbol gemäß Richtlinie 93/68EWG

The 16W powered speaker is equipped with a 130mm full-range loudspeaker chassis and a 100V transformer with 3 power adjustments. The sturdy, UV-resistant ABS housing (UL 94 HB) in RAL 9010 guarantees long-term stability. For additional reliability, a ceramic block, and a thermal fuse are provided and the speaker chassis is impregnated against wetness.

The speaker is also secured with protection class IP 35 against the security risks of environmental influences.

The speaker is also compliant with the British Standard BS 5839, Part 8.

The connection will be done with a 4,5 m long, 4-pin cable. Quick and easy mounting with a mounting hook.

## Technical Data (Electrical)

Description	DL-K 16-130/T-EN54
Power	16/8/4 W
Impedance (100V)	625/1250/2500 ohm
Frequency Range	130 - 13.300 Hz
Frequency Response	130 - 23.500 Hz
SPL IEC268-5 , 1W/1m	85,0 dB
SPL EN54-24, Pmax/4m	86,5 dB
Sensitivity EN54-24, 1W/4m	73,0 dB
Sensitivity EN54-24, 1W/1m	85,0 dB
Dispersion -6dB, 500Hz	h/v 360°
Dispersion -6dB, 1KHz	h/v 196°
Dispersion -6dB, 2KHz	h/v 132°
Dispersion -6dB, 4KHz	h/v 171°

Please note: Because of many different types of ceiling materials and ceiling strengths we recommend to build in a sample of the speaker to match the requirements accurately.

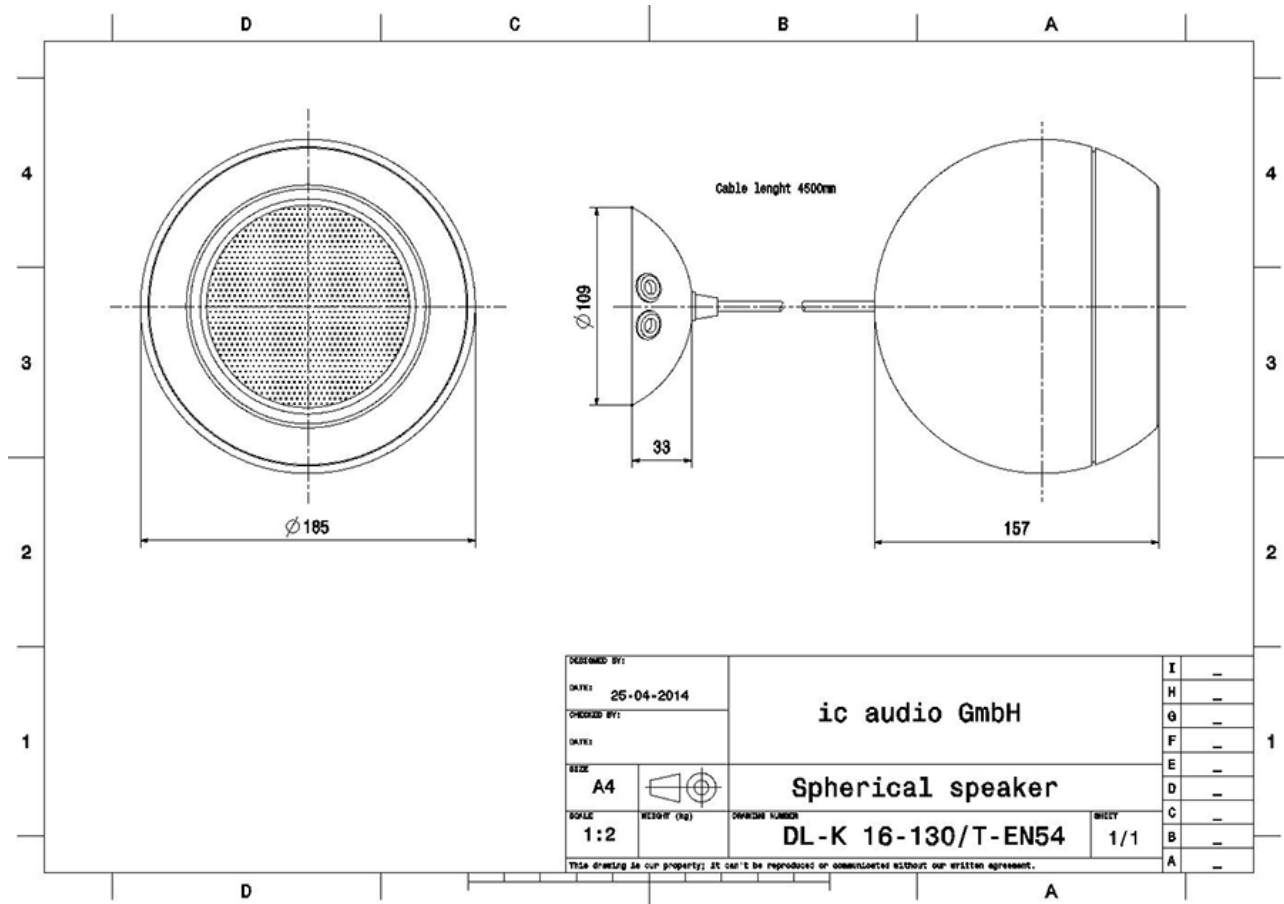
## Technical Data (Mechanical)

Dimensions	185x157 mm
IP Rating	IP35
Weight (net)	1,50 kg
Temperature range	-10 / +55 C°
Mounting	Mounting hook
Connector	ceramic block
Terminal diameter	3,2 mm
Maximum cable cross section	8mm <sup>2</sup>
Colour	RAL 9010

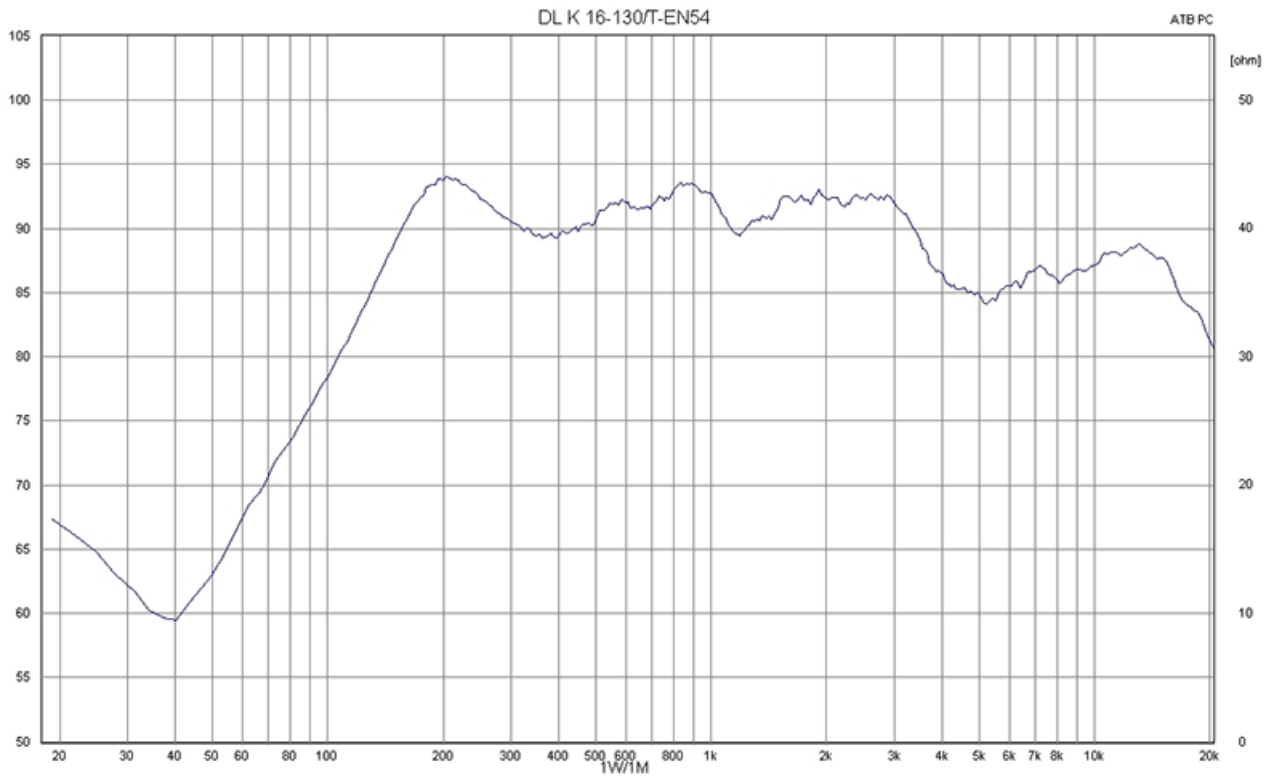
## Product Attributes



Technical Diagrams

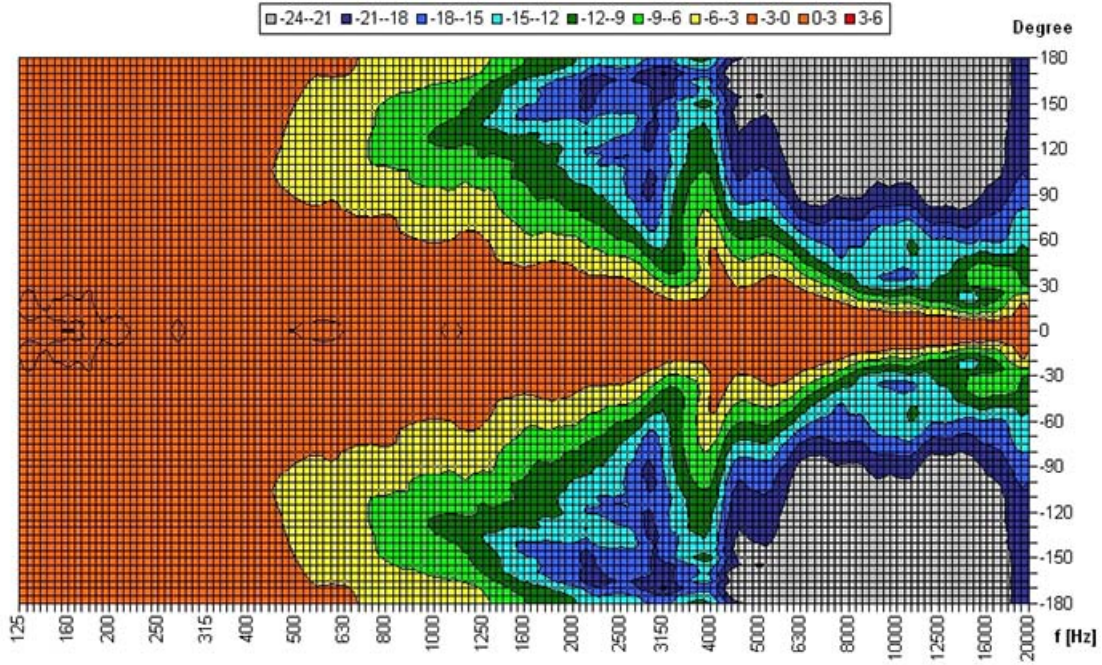


### Frequency Response Diagrams



Polar Diagrams

Copyright by Four-Audio GmbH & Co KG Licensed to AAC

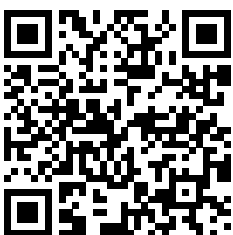


Parameters: Cyclic Move: 0° ; Symmetry: average sym ; Freq.Smooth: 1/3 Oct ; Ang.Resol: 5° ; Rel. to: 0° Axis 0°

ic audio loudspeakers are tested and classified according to the IEC standard 60529 (degree of protection by enclosure) against the penetration of foreign objects and moisture. The classification is conforming to standards through characterization with a fixed code. This code consists of the letters IP (International Protection) followed by two digits. The first digit indicates the degree of protection against dust and the second digit the degree of protection against water. Please note that the testing of the products has been carried out in laboratory conditions which are not always 100% comparable with the conditions of different installation environments. This protection can be reduced due to normal wear and tear depending on the installation environment.

RoHS compliant (2011/65/EU)

The IP rating specified is based on ic audio test results, not on CNBOP-PIB test results. Certification only verifies the minimum requirements for EN54-24 compliance.



**Article Nr.:** 20122605

**Packing Unit:** 6

